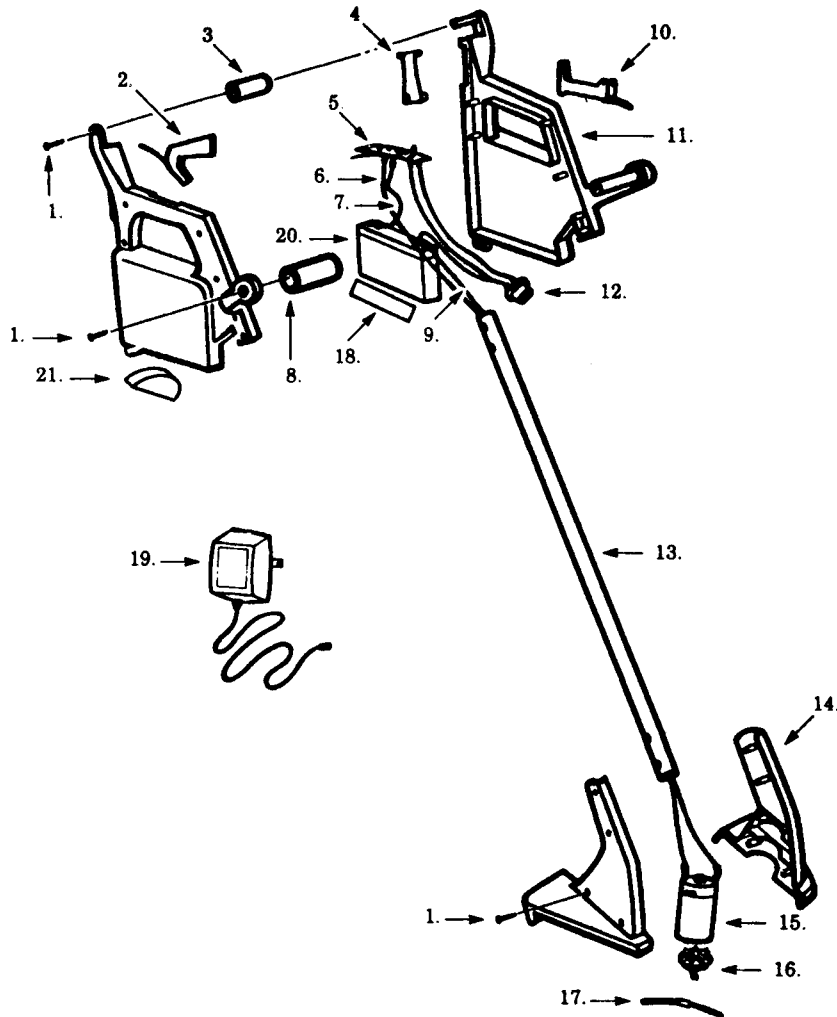


Prod.No: 952 71 52-83
952 71 52-95 UK

SPAREPARTS

107 26 17-62

⚠ WARNING
All repairs, adjustments and maintenance not described in the Operator's Manual must be performed by qualified service personnel.



Ref.	Part No.	Description	Ref.	Part No.	Description
1.	530-340179	Screw	14.	530-401095	Motor Hsg. Set
2.	530-037040	Trigger Lock	15.	530-400425	Motor
3.	530-400418	Wrist Support Cushion	16.	530-401081	Hub w/Line Retainer
4.	530-401093	Door Line Storage	17.	952-715553	Replacement Line
5.	-	Circuit Board Ass'y.	18.	530-350017	Foam Spacer
	530-036586	Type 1	19.	-	Charger
	530-401581	Type 2		530-400529	European/Scandinavian
6.	-	Wire Ass'y. (Red)		530-400528	United Kingdom
	530-400417	Type 1	20.	-	Battery
	530-401752	Type 2		530-400414	Type 1
7.	530-400470	Wire Ass'y. (White)		530-401761	Type 2
	-	Type 1 only	21.	534-158602	Foam Pad
8.	530-400419	Assist Handle Cushion			
9.	530-400416	Wire Ass'y. (Black)			
10.	530-400412	Trigger Switch			
11.	530-401092	Battery Hsg. Set (Incl. decals)			
12.	-	Receptacle Ass'y.			
	530-400452	Type 1			
	530-401479	Type 2			
13.	530-401089	Tube w/ Warning Decal			

* = REFER TO THE SERVICE REFERENCE INDICATED FOR MORE INFORMATION. (LOCATED AT END OF IPL)
✓ = NEW PART NUMBER FOR THIS IPL